

Technical datasheet

Corrosion Rate Measurement and Corrosion Coupons

Introduction

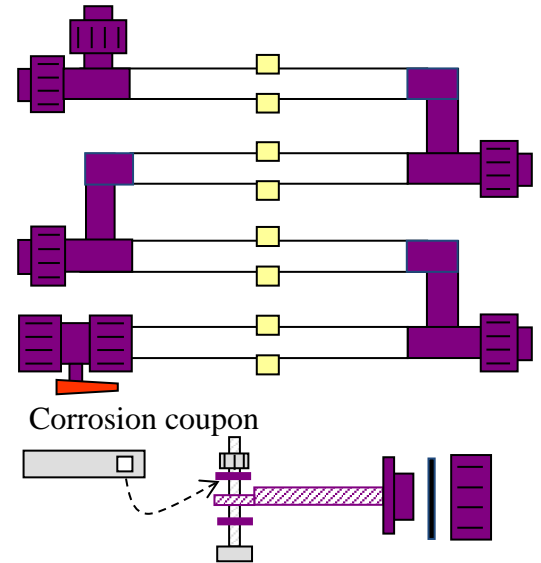
Corrosion rack Maxi-LT produced in DN32 PVC-piping ready for installation of corrosion coupons.

The equipment includes two shut-off ball valves and flow meter.

Corrosion coupons in steel, brass, copper, aluminum, zinc or in stainless steel.

The annual system documentation using corrosion rate is used when issuing a conformity/ non-conformity classification certificate.

OTS item number.: 9000-



Features

- Suitable
- Variable

Safety features

- Fitted
- PTFE

Capacity & performance

Type of fluid:	Cooling water
Operating temperature:	Max. 40°C
Cirk. Flow	
In/Out connection	
El-motor power maximum viscosity	

Weight & dimensions

Width
Height
Gross Weight